

Sealand Masterflush All-Ceramic Macerator Toilets

Model	Description	Weight	H x W x D	Volts	Part #
SLD 8812	<ul style="list-style-type: none"> • Low-profile Style, Small Footprint • Perfect for raised platform installations • Compact Design – Macerator does not extend below floor level • Simplified installation 	38.6 lbs.	13-1/2" x 14-1/2" x 17"	12	SLD 881211
				24	SLD 881221
SLD 8818	<ul style="list-style-type: none"> • Dramatic Contemporary Styling residential-style Bowl – Home-like water trap in bowl eliminates odors from macerator or holding tank • Sloped Back – Fits against hull 	46.3 lbs.	17" x 14-1/2" x 17-1/2"	12	SLD 881811
				24	SLD 881821
SLD 8819	<ul style="list-style-type: none"> • Standard seating height and sturdy, all-ceramic fixture enhance user comfort • Residential-style Bowl – Home-like water trap in bowl eliminates odors from macerator or holding tank 	56 lbs.	16-3/4" x 14-1/2" x 19-1/2"	12	SLD 881911
				24	SLD 881921



Stainless Turbine Macerator
Virtually Unstoppable-Macerates waste with powerful 2,700 RPM motor. Over 1,100 cuts per second.

Model 8812



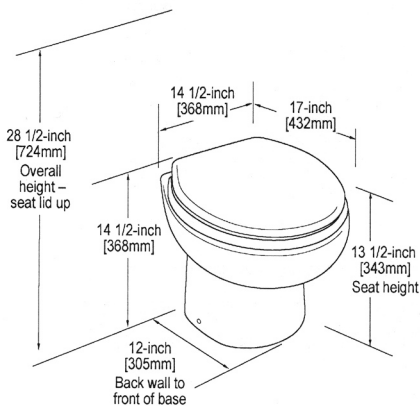
Model 8818



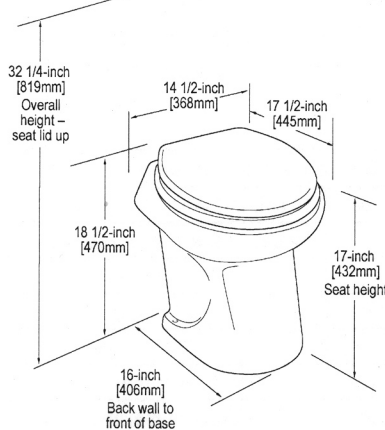
Model 8819



Model 8812



Model 8818



Model 8819

